



IP66 Solar DC Combiner Box 6 String Input 2 String Output

ADELS® is a professional IP66 Solar DC Combiner Box 6 String Input 2 String Output manufacturer and supplier in China. IP65 waterproof plastic solar photovoltaic DC combination box suitable for inverters, is installed DC circuit breaker distribution box. Its main purpose is to combine multiple DC inputs from

panels in the system into a single DC output. The box is made of pvc engineering material, with tolerance and impact resistance. IP65 design, waterproof, dustproof, UV protection. At the same time strictly through the high and low temperature test, can adapt to a variety of environment, widely used. If you have any questions, please feel free to contact us.

Model:FMA-24W PV6/2

ADELS® is a professional IP66 Solar DC Combiner Box 6 String Input 2 String Output manufacturer and supplier in China. IP65 waterproof plastic solar photovoltaic DC combination box suitable for inverters, is installed DC circuit breaker distribution box. Its main purpose is to combine multiple DC inputs from panels in the system into a single DC output. The box is made of pvc engineering material, with tolerance and impact resistance. IP65 design, waterproof, dustproof, UV protection. At the same time strictly through the high and low temperature test, can adapt to a variety of environment, widely used. If you have any questions, please feel free to contact us.

IP66 Solar DC Combiner Box 6 String Input 2 String Output Parameter

Electrical Characteristics	
Type	FMA-24W PV6/2 (FMA-24W PVM6/2)
Input	6 string
Output	2 string
Maximum Voltage	DC 1000V
MAX DC Short Circuit Current Per Input (Isc)	15A(Changeable)
Maximum Current Output	32A
Environment	

Wenzhou Feimai Electric Co., Ltd.

Address:No.75 Xinguang Avenue, Xinguang Industrial Zone, Liushi, Yueqing City, Zhejiang Province, P.R.China.

Phone:+86-13968753197

Fax:+86-577-62797770

Tel:+86-577-62797750

E-mail:sale@adels-solar.com

Operating Temperature	-25P~+55°C
Humidity	99%
Attitude	2000M
Installation	Wall Mounting
Enclosure	FMA-24W
Material Type	PC/ABS
Degree of Protection	IP65
Dimension(WxHxD)	298x420x140mm
Cable input entry	Pg9 Cable Gland 4-8mm2 /4mm2 MC4 connector
Output Cable Gland	Pg21 Cable Gland(2 holes)
DC Isolator Switch	FMPV32-L2
Rated Insulation Voltage(Ui)	DC 1000V
Rated Current(Ie)	32A
Category	DC-PV2, DC-PV1, DC-21 B
Standard Compliance with Certification	IEC60947-3 TUV, CE, CB, SAA, ROHS
DC Surge Protection Device	FMDC-T2/2
Max Operation Voltage(Ucpv)	DC 1000V
Standard Compliance with Maximum Discharge Current Certification	EN 61643-31 Type 2 40 KA TUV, CE, CB, ROHS
DC Fuse Holder	FMR1-32
LED Indicator	Yes
Rated Working Voltage	DC 1000V
Fuse Link	10x38mm 15A
Certification	TUV, CE, CB, ROHS

IP66 Solar DC Combiner Box 6 String Input 2 String Output Schematic

Wenzhou Feimai Electric Co., Ltd.

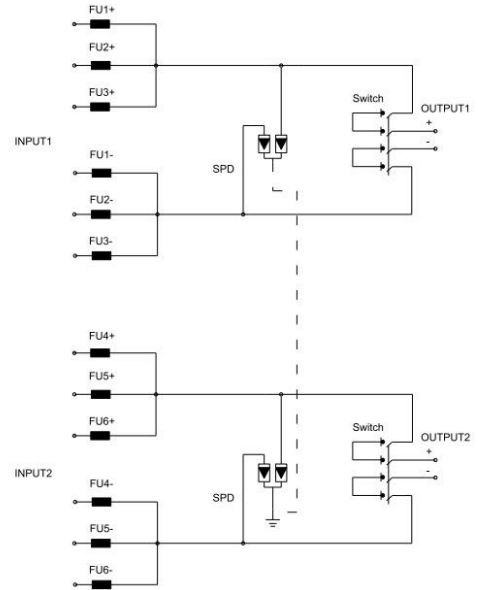
Address:No.75 Xinguang Avenue, Xinguang Industrial Zone, Liushi, Yueqing City, Zhejiang Province, P.R.China.

Phone:+86-13968753197

Fax:+86-577-62797770

Tel:+86-577-62797750

E-mail:sale@adels-solar.com



Wenzhou Feimai Electric Co., Ltd.

Address:No.75 Xinguang Avenue, Xinguang Industrial Zone, Liushi, Yueqing City, Zhejiang Province, P.R.China.

Phone:+86-13968753197

Fax:+86-577-62797770

Tel:+86-577-62797750

E-mail:sale@adels-solar.com

DC COMBINER BOX

Multiple specification can be customized

IP65

Waterproof grade



Wenzhou Feimai Electric Co., Ltd.

Address:No.75 Xinguang Avenue, Xinguang Industrial Zone, Liushi, Yueqing City, Zhejiang Province, P.R.China.

Phone:+86-13968753197

Fax:+86-577-62797770

Tel:+86-577-62797750

E-mail:sale@adels-solar.com